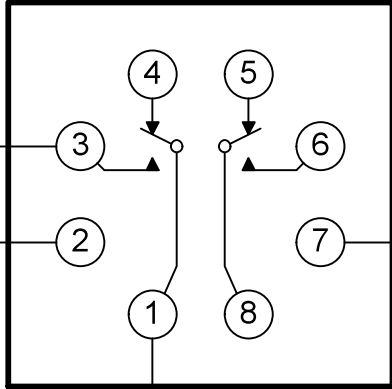


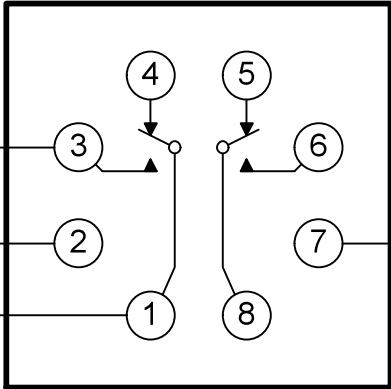
LINE 1

LINE 2

**Model 2410SA
Delay On Make**



LOAD



**Model 2300SA
Interval**