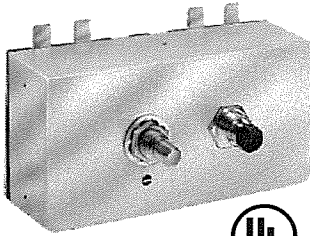




# Solid State Timers and Controllers

## EPC-12207

### Single-Shot Interval Timer

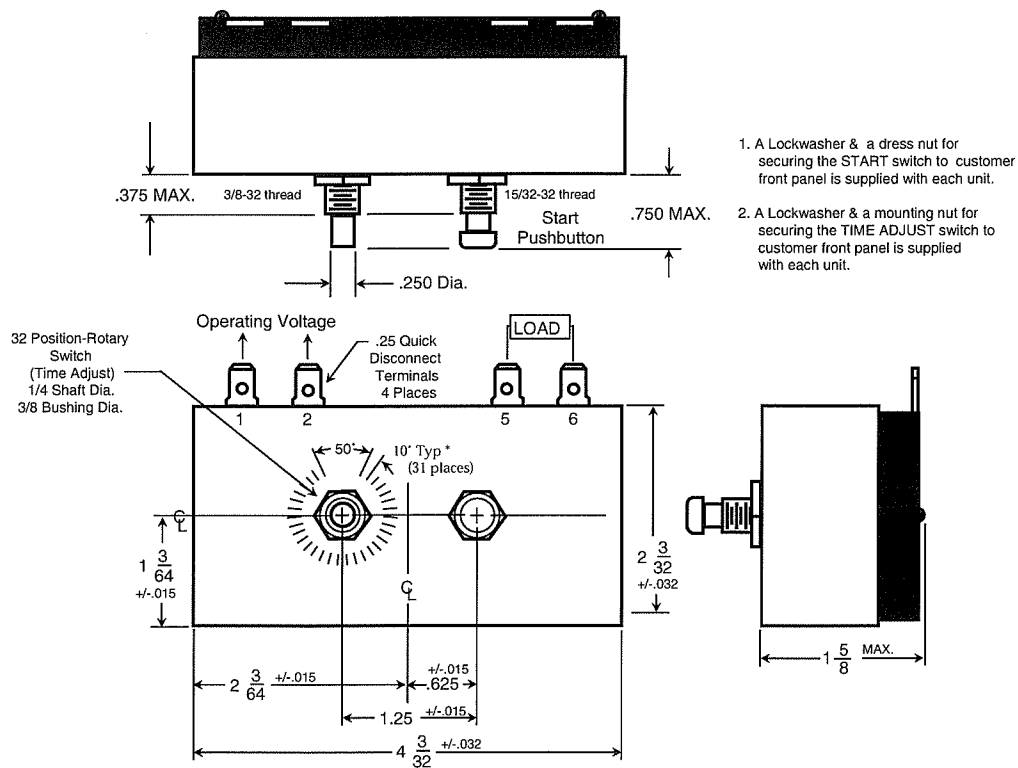


CUL Approved For Operation On 24V AC & 115V AC

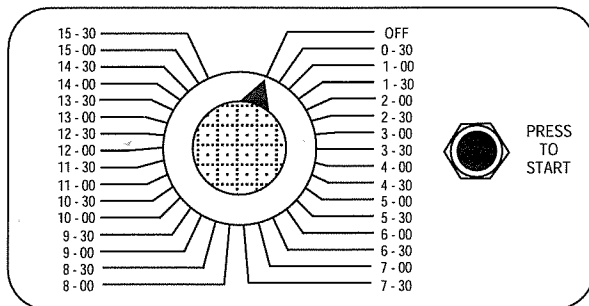


The model EPC-12207 is an all solid state digital timer intended for use in applications requiring an external load circuit to be energized for an interval of time each time the start switch of the timer is momentarily pressed. The timing period is set by a 32 position rotary switch which adjusts the timer from OFF to the maximum time as specified by the model number. Thirty two positions increment the time by adding the base time to each position. As a complete timing assembly, the EPC-12207 is ready to mount behind a front panel to form an integral timing controller. Available in seven operating voltages ranging from 12V DC up to 115V AC.

#### Mechanical

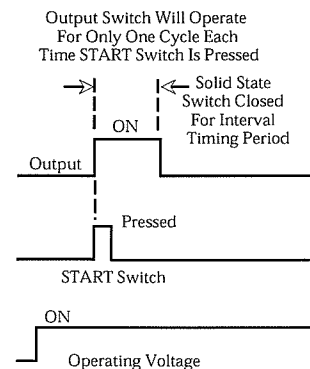


#### A Typical Front Panel Layout



Shown is the EPC-12207 with a -7 timing range of 30 seconds to 15 minutes 30 seconds in 30 second steps

#### Timing Diagram



Artisan Controls Corporation,  
111 Canfield Ave, Bldg B15-18, Randolph, New Jersey 07869, USA  
Tel: 973-598-9400 • Fax: 973-598-9410 • Toll Free: 800-457-4950  
website: www.artisancontrols.com



# Solid State Timers and Controllers

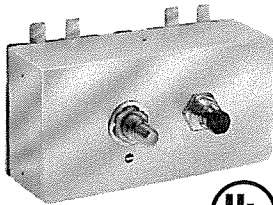
## Specifications

**Operating Voltage:** 12V DC (10V - 15V), 24V DC (20V - 30V), 48V DC (44V - 52V), 110V DC (100V - 120V), 115V AC (105V - 135V) 50/60 Hz.

**Timing Mode:** Single-shot interval.

**Timing Increments:** Fifteen models from 0.5 second to 1 hour (See *Ordering Information*).

**Timing Range:** Range is the incremental timing period x 31 in 31 incremental steps:



CUL Approved For  
Operation On  
24V AC & 115V AC



- (-1) 0.5 - 15.5 seconds in 0.5 second increments
- (-2) 1 - 31 seconds in 1 second increments
- (-3) 5 - 155 seconds in 5 second increments
- (-4) 10 - 310 seconds in 10 second increments
- (-5) 15 - 465 seconds in 15 second increments
- (-6) 20 - 620 seconds in 20 second increment
- (-7) 25 - 775 seconds in 25 second increment
- (-8) 30 - 930 seconds in 30 second increment
- (-9) 1 - 31 minutes in 1 minute increments
- (-10) 2 - 62 minutes in 2 minute increments
- (-11) 3 - 93 minutes in 3 minute increments
- (-12) 5 - 155 minutes in 5 minute increments
- (-13) 10 - 310 minutes in 10 minute increments
- (-14) 30 - 930 minutes in 30 minute increments
- (-15) 1 - 31 hours in 1 hour increments

See  
*Ordering  
Information*

**"OFF" Position:** The position marked "OFF" disables the timer from all operation.

**Output:** Solid state switch - AC models rated for 1A, DC models rated for 0.5A.

**Output Switch Leakage Current:** AC models have 3mA, and DC models have 1.5mA maximum.

**Output Switch Voltage Drop:** 2V maximum, AC and DC models.

**Internal Clock:** The internal clock is independent of the AC line frequency, and is factory set to provide timing accuracy to 1% of all switch positions.

**Timing Repeatability:** 1% of the time selected.

**Transient Protection:** Protected by silicon transient suppressors which respond to transients within  $1 \times 10^{-12}$  seconds to a peak pulse power dissipation of 1500 watts, with transient surge currents to 200 amperes for durations up to 1/120 second at 25° C. Maximum transient voltage protection is 6000 volts as delivered through a source resistance of 30 ohms with a max. duration of 8.3mS.

**Operating Temperature:** -20°C to +85°C.

**Data Sheet Revision Date:** September 11, 1997

## Ordering Information

Part Number	Operating Voltage	Timing Range
EPC-12207	( - 2 ) 12V DC	-1 0.5 - 15.5 seconds in 0.5 second increments
		-2 1 - 31 seconds in 1 second increments
	( - 3 ) 24V DC	-3 5 - 155 seconds in 5 second increments
		-4 10 - 310 seconds in 10 second increments
	( - 4 ) 48V DC	-5 15 - 465 seconds in 15 second increments
		-6 20 - 620 seconds in 20 second increment
	( - 5 ) 110V DC	-7 25 - 775 seconds in 25 second increment
		-8 30 - 930 seconds in 30 second increment
	( - 6 ) 24V AC	-9 1 - 31 minutes in 1 minute increments
		-10 2 - 62 minutes in 2 minute increments
	( - 7 ) 48V AC	-11 3 - 93 minutes in 3 minute increments
		-12 5 - 155 minutes in 5 minute increments
	( - 8 ) 115V AC	-13 10 - 310 minutes in 10 minute increments
		-14 30 - 930 minutes in 30 minute increments
		-15 1 - 31 hours in 1 hour increments

Example: EPC-12207 - 8 - 4 Is the model EPC-12207 operating from 115V AC with a switch selectable timing range of 10 to 310 seconds in 10 second increments.