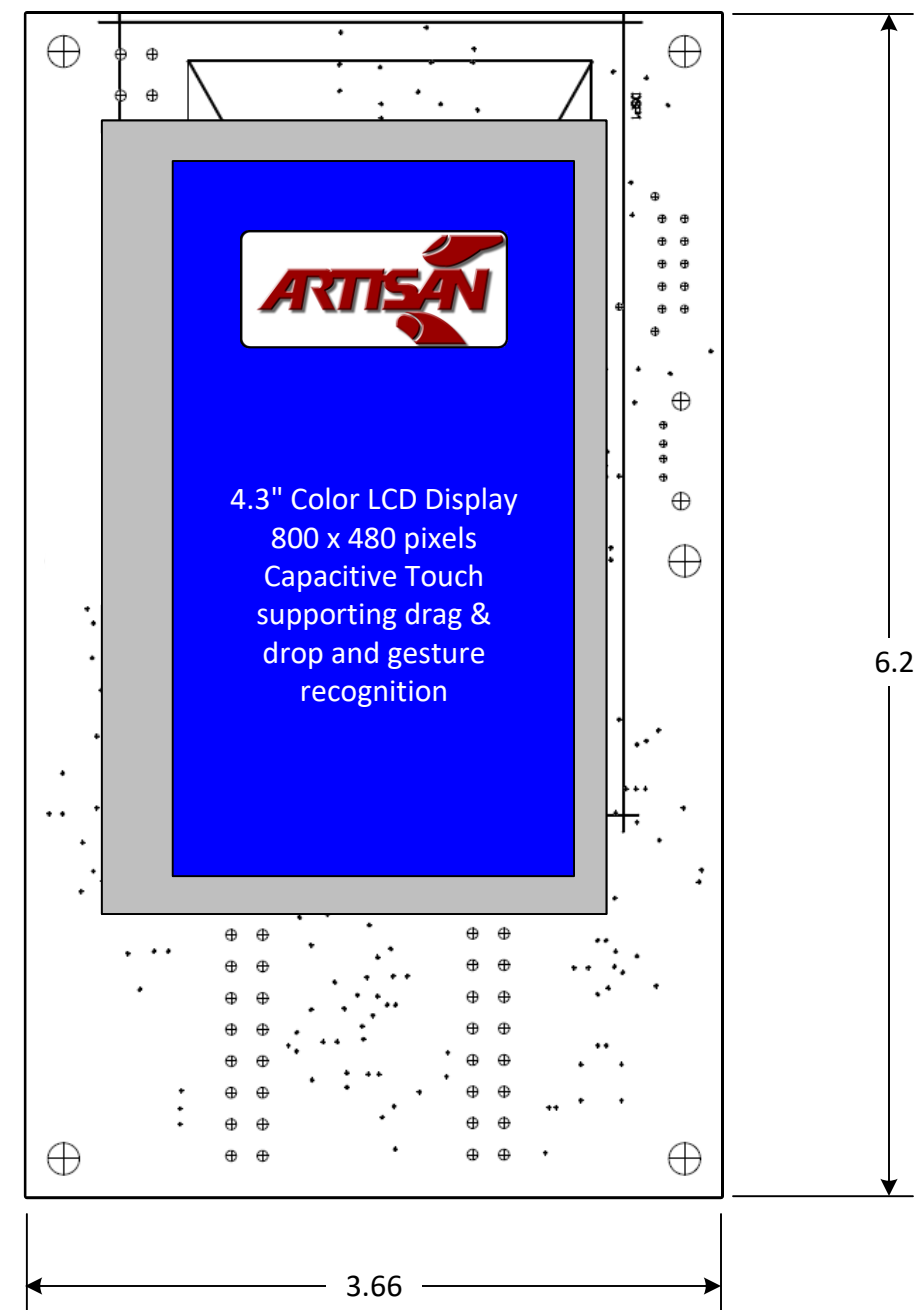
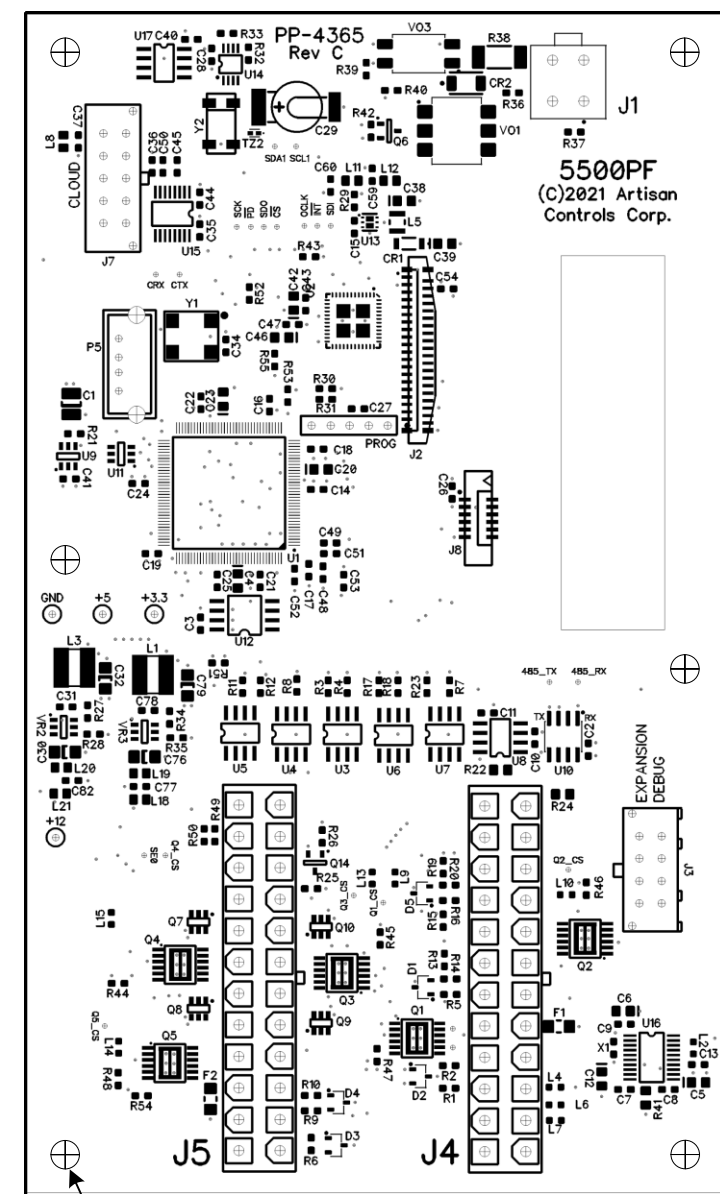
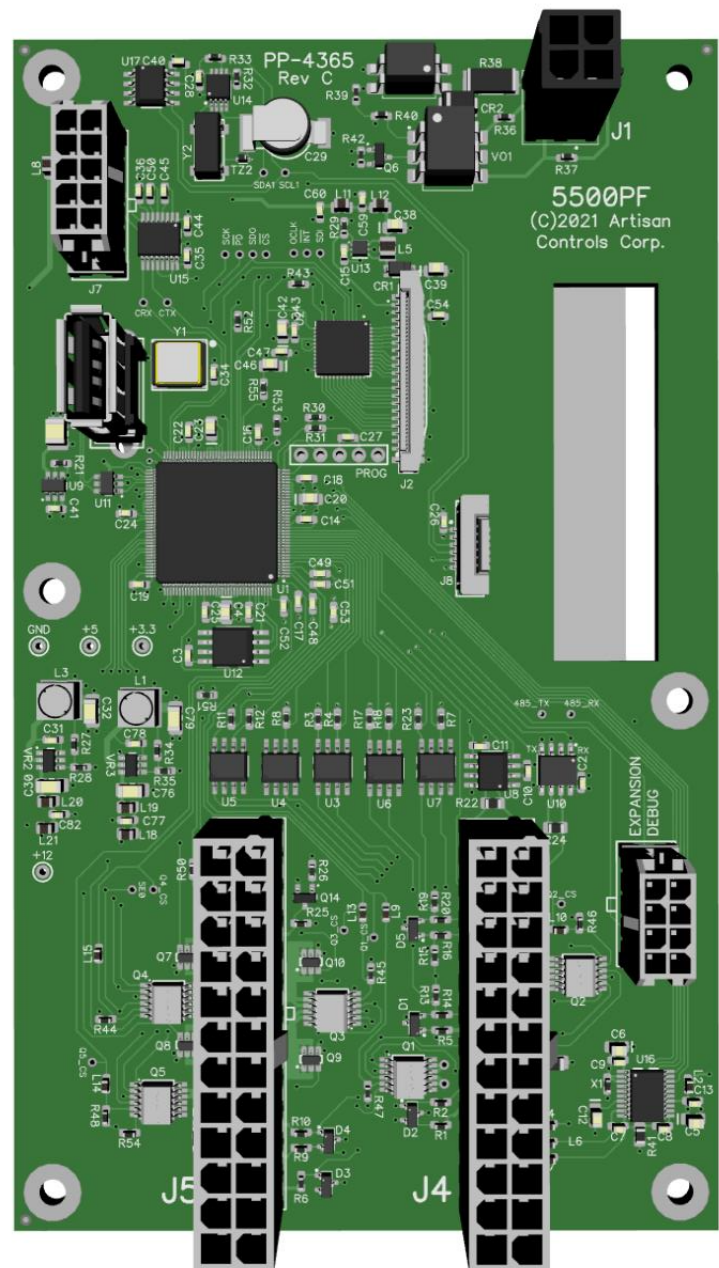
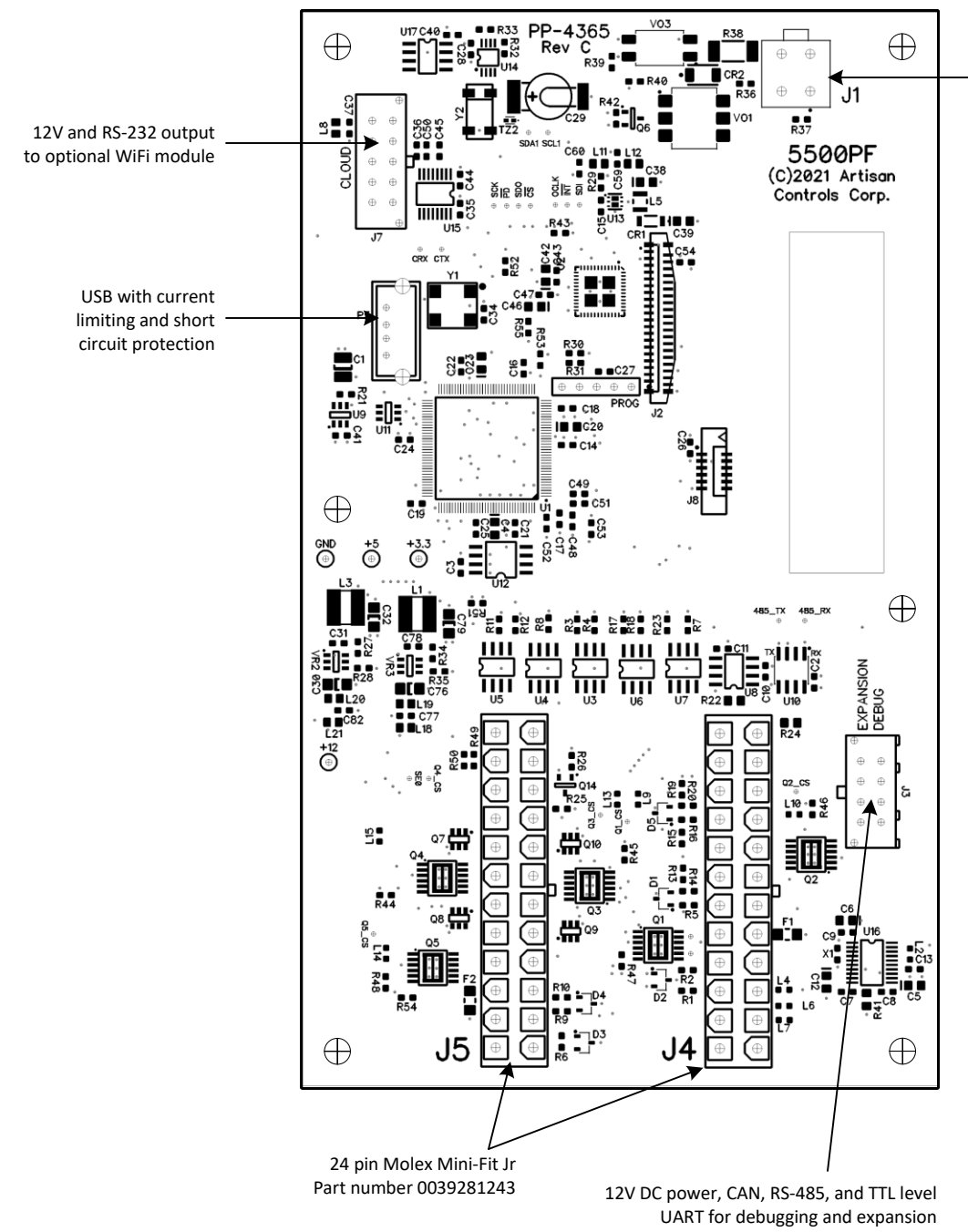


REV	DATE	BY	DESCRIPTION	ECN
-----	------	----	-------------	-----



DRAWN & DATE: <i>S. [Signature]</i> 1/12/22	TOLERANCES:	ARTISAN CONTROLS CORPORATION Randolph, NJ (973) 598-9400		
	Fractions: $\pm 1/64$ Decimal .XX: $\pm .010$ Decimal .XXX: $\pm .005$ Angles: ± 1 Degree			
APPROVAL & DATE:	5500 Controller Specifications			
	FSCM NO. 0AGK2	SIZE A	DRAWING NO. 5010XXX	REV -



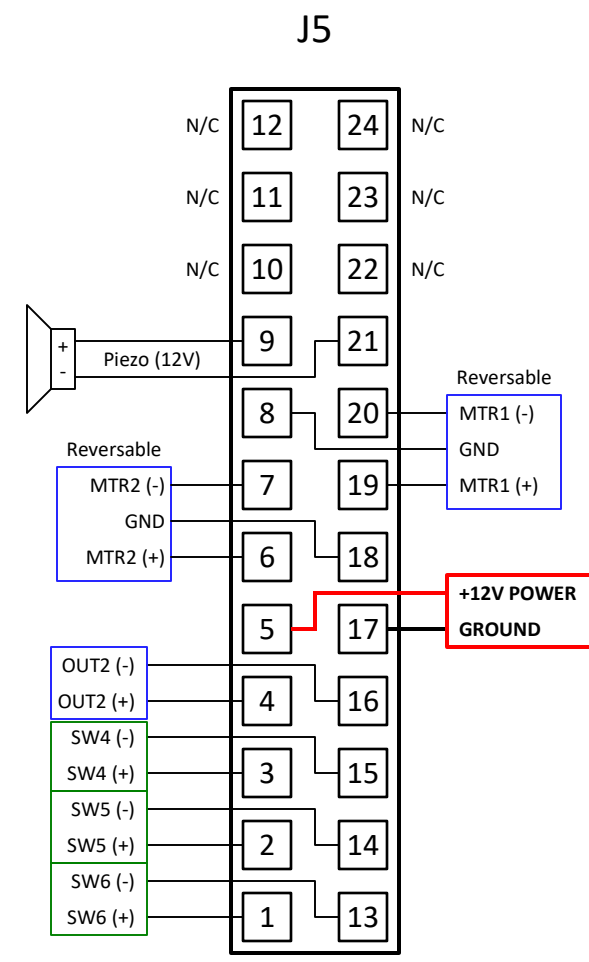
Optional zero-crossing dual SCR or Triac drive

12V and RS-232 output to optional WiFi module

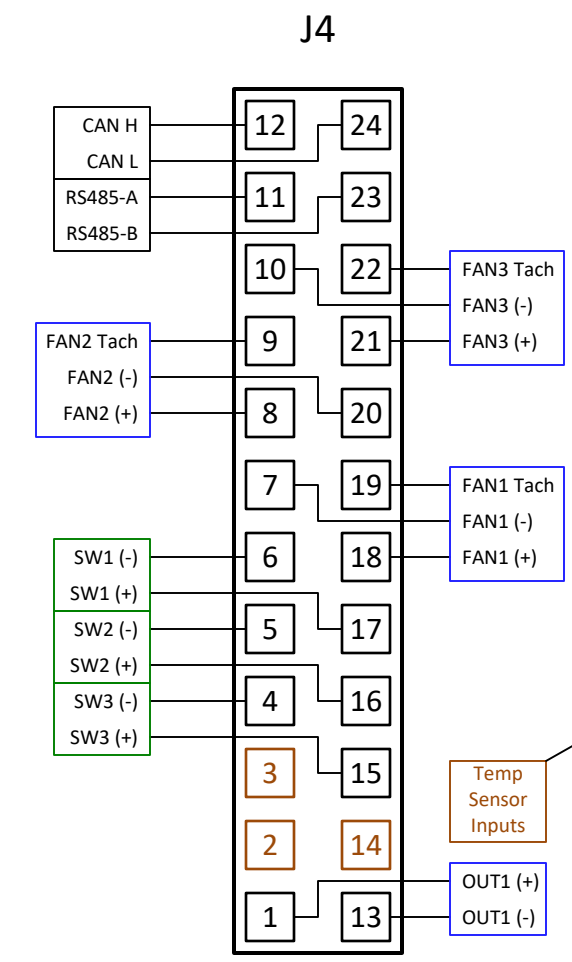
USB with current limiting and short circuit protection

24 pin Molex Mini-Fit Jr
Part number 0039281243

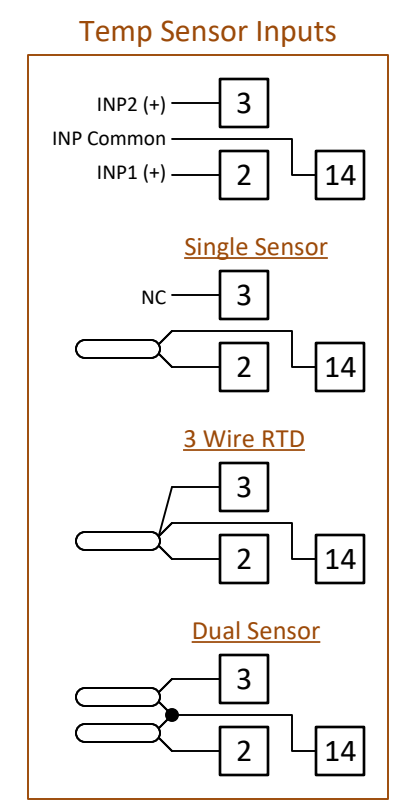
12V DC power, CAN, RS-485, and TTL level UART for debugging and expansion



All power outputs are 3A 12V DC with current monitoring up to 1.5A. Motor outputs have reversible polarity (H bridge), fan outputs have optically isolated tachometer inputs (open collector)
Drivers are automotive qualified and have overcurrent and over temperature protection



All switch inputs are provided 12VDC and have transient protection and optical isolation



DRAWN & DATE: <i>SAM</i> 1/12/22		TOLERANCES: Fractions: ± 1/64 Decimal .XX: ± .010 Decimal .XXX: ± .005 Angles: ± 1 Degree		ARTISAN CONTROLS CORPORATION Randolph, NJ (973) 598-9400 <h2>5500 Controller Specifications</h2>		FSCM NO. 0AGK2	SIZE A	DRAWING NO. 5010XXX	REV -
APPROVAL & DATE:									

REV	DATE	BY	DESCRIPTION	ECN

SPECIFICATIONS:

Operating Voltage: 12VDC ±10%, 0.3A maximum (controller only)
 Operating Temperature: 0-70°C
 Construction: 4 layer PCB with conformal coating.

J4 & J5 Connectors:

- Two (2) reversible 12V DC motor drives
- Three (3) 12V DC fan drives with tachometer inputs
- Two (2) 12V DC outputs for relays or lamps
- NOTE: All outputs above are 3A maximum with current measurement up to 1.5A*
- Temperature Sensor for 3 wire RTD or two (2) RTD's or thermocouples.
- Six (6) 12V DC switch inputs, 12V DC with optical isolation and transient protection
- 12V DC PWM output for piezo buzzer with volume control

J1 Connector

- Zero crossing SCR/Triac drive output
- AC voltage detection input for over temp switch.

USB Port for import/export and firmware upgrades

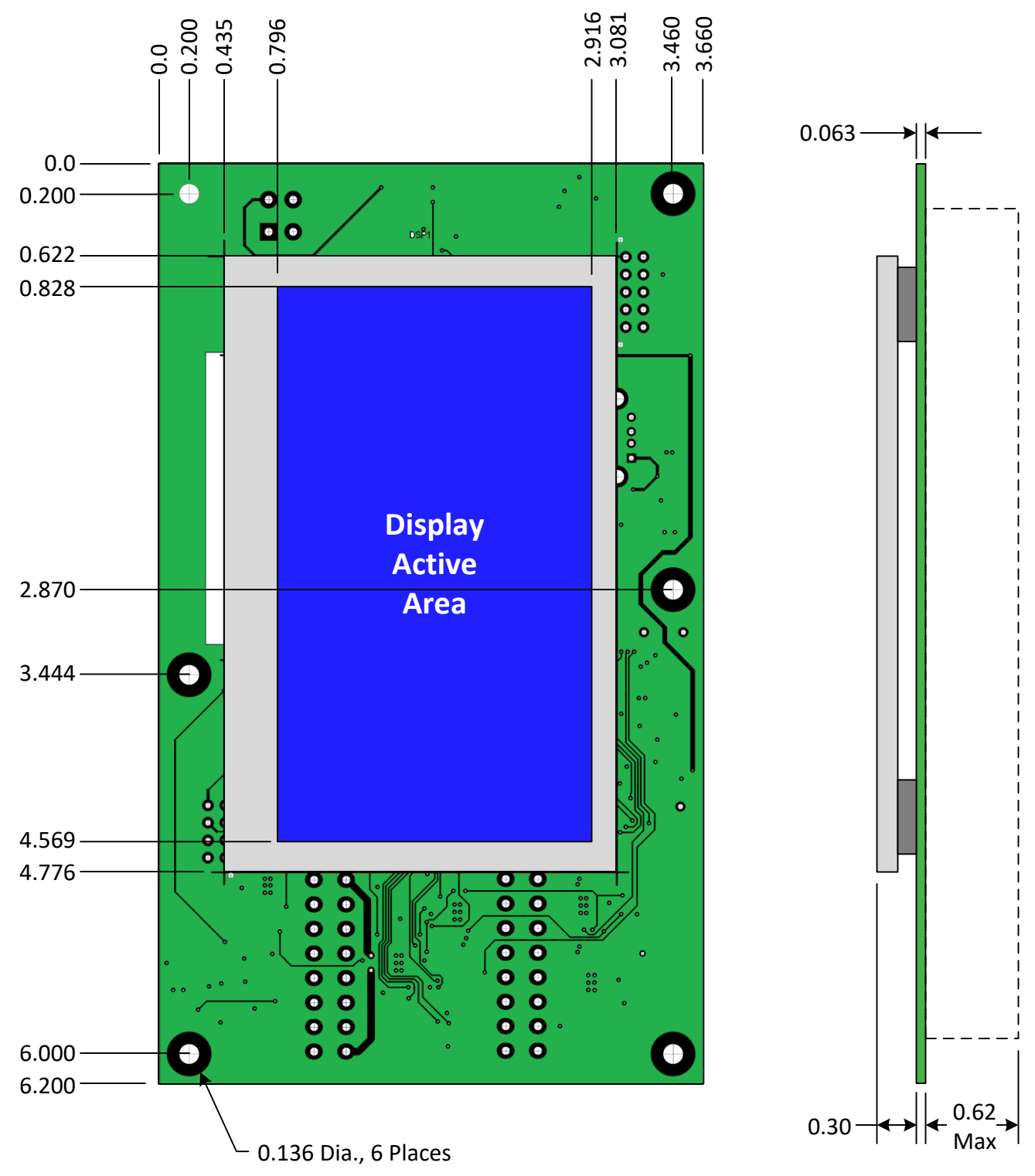
Cloud connector providing 12V DC and RS-232 communications for external Wifi module

LCD Display

- 4.3" diagonal 800x480 pixels, 16 bit color
- Adjustable backlight intensity
- Capacitive touch with gesture recognition

Temperature Sensing:

- J or K Thermocouples, 100 ohm RTD (2 or 3 wire)
- Internal resolution 0.1°F
- Standard Accuracy ±3°F
- ±1°F Accuracy @ calibration point



DRAWN & DATE: <i>SAM</i> 1/12/22		TOLERANCES: Fractions: ± 1/64 Decimal .XX: ± .010 Decimal .XXX: ± .005 Angles: ± 1 Degree		ARTISAN CONTROLS CORPORATION Randolph, NJ (973) 598-9400		
APPROVAL & DATE:		5500 Controller Specifications				
FSCM NO. 0AGK2	SIZE A	DRAWING NO. 5010XXX		REV -		